

SocketModem™ GSM/GPRS Benefits:

Embedded Data/Fax Wireless Modem



- Easy integration
- Quick time-to-market
- AT command compatible
- Universal socket connectivity

The Multi-Tech SocketModem GSM/GPRS is a complete, ready-to-integrate, embedded wireless modem. Designed for global use, it offers standards-based multi-band GSM/GPRS Class 10. This quick-to-market module allows developers to add wireless communication to products with a minimum of development time and expense. The SocketModem GSM/GPRS is based on industry-standard open interfaces and utilizes Multi-Tech's universal socket design.

Features

- GPRS Class 10
- Dual-band 850/1900 or 900/1800 MHz GSM/GPRS
- Packet data up to 85K bps
- Embedded TCP/IP stack
- Circuit-switched data (GSM) up to 14.4K bps transparent and non-transparent
- GSM Class 1 and Class 2 Group 3 Fax
- Short Message Services (SMS)
- MMCX antenna connector and SIM socket
- Serial interface supports DTE speeds to 115.2K bps
- AT command compatible
- MNP 2 error correction, V.42bis compression
- Universal socket connectivity

*A Complete,
Ready-to-Integrate,
Embedded Wireless
Modem*

Highlights

Applications. The SocketModem GSM/GPRS is targeted at applications that periodically need to send or receive data over a wireless network. It is an ideal solution for:

- Appliances
- ATM terminals
- Automotive
- Data collection
- Gas pumps
- Industrial and medical remote monitoring systems
- Remote diagnostics
- Remote metering
- Security systems
- Vending/gaming machines
- Other devices requiring wireless connectivity

Integration Reduces Space, Power and Cost. The SocketModem GSM/GPRS integrates the controller, RF transceiver, and antenna interface in one module. This integration requires low power, low real estate and provides an overall reduction in costs.

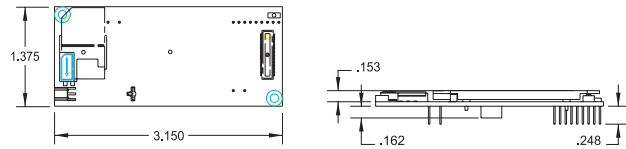
Reduces Development Time. The SocketModem GSM/GPRS can make your existing and next generation device, machine, or system, communication-ready without requiring significant hardware changes to its design. It actually provides faster time-to-market because it relieves the burden and expense of obtaining PTCRB and RF approvals. This complete, ready-to-integrate wireless SocketModem allows you to enhance your product while you focus on developing its core features.

Packet-switched Data. The SocketModem GSM/GPRS supports GPRS Class 10 packet-switched cellular data. This enables mobile Internet functionality by allowing interworking between the existing Internet and the cellular network at speeds up to 85K bps. Any service that is used over the fixed Internet today - File Transfer Protocol (FTP), web browsing, chat, e-mail, telnet is available over the cellular network as well. It includes support for PBCCH, coding schemes: CS1 to CS4 and is compliant with SMG31bis.

Circuit-switched Data (CSD). The SocketModem GSM/GPRS also supports GSM circuit-switched cellular data connections. Circuit-switched data connections support speeds up to 14.4K bps, Class 1 and Class 2 Group 3 fax, as well as MNP 2 error correction, V.42bis compression. CSD cellular wireless connections are ideal for applications that require a quick wireless replacement of an existing point-to-point analog dial-up connection. They integrate seamlessly with your current application requiring little infrastructure change.

Short Message Services. The SocketModem GSM/GPRS offers SMS features such as text and PDU, point-to-point (MT/MO) and cell broadcast.

Mechanical Specifications

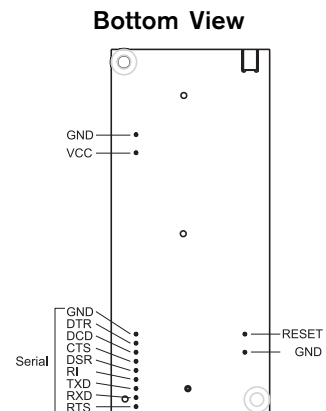


Management Features. The SocketModem GSM/GPRS provides advanced management features that include: phone book management, fixed dialing number, real time clock and alarm management.

Industry-standard Modem Commands. The SocketModem GSM/GPRS provides industry-standard AT-style commands for ease of integration into your existing software application.

Internet-enabled. The SocketModem GSM/GPRS includes an embedded TCP/IP protocol stack to bring embedded Internet connectivity to any device. Using the Internet protocols and the wireless connection to an IP network, it sends and receives data over the Internet. It can also serve a single web page in response to a web browser request.

SocketModem Pin-Out. The SocketModem GSM/GPRS interfaces easily with existing products through a standard serial communication channel. The complete on-board RF transceiver interfaces with an antenna for direct connection to wireless SMS, circuit-switched dial-up, or packet data networks. The SocketModem also includes an onboard LED to display network status. The SocketModem is a Data Terminal Equipment (DTE) device with serial asynchronous protocol support. The serial DTE channel is capable of transfer speeds to 115.2K bps and can be interfaced directly to a UART or microcontroller.



Network and RF Approved. The SocketModem GSM/GPRS is PTCRB certified. In addition, it has successfully completed worldwide compliance testing for global RF approval.

Universal Socket Connectivity. The SocketModem's flexible comm-port architecture provides dial-up, wireless, or Ethernet socket connectivity with interchangeable modules. This means you can utilize one system design and populate it with your communication module of choice. In addition, you are assured a seamless migration to future technologies.

Developers Kit. The SocketModem GSM/GPRS Developer's Kit allows you to plug in the SocketModem and use it for testing, programming and evaluation. The kit includes one development board with RS-232 DB-25 connector, universal power supply, antenna and RS-232 cable.

Comprehensive Service and Support. The Multi-Tech commitment to service means we provide a two-year product warranty and service that includes technical support, 24-hour web site and ftp support.

Who's Multi-Tech? Multi-Tech is an ISO 9001:2000 certified global manufacturer of award-winning Internet access, remote access, telephony and modem solutions. Since 1970, Multi-Tech has provided corporations in over 135 countries with superior modem technology, delivering the most reliable and highest speed connections possible. Our commitment to providing a quality modem means we test every modem before it leaves our doors. With over 60 U.S. patents and numerous international patents, you can look to Multi-Tech for communication technology innovation.

Specifications

Packet Data Features:

GPRS Class 10, PBCCH support
Coding Schemes: CS1 to CS4
Embedded TCP/IP stack

Circuit Switched Data/Fax Features:

Asynchronous, transparent & non-transparent up to 14.4K bps, MNP 2 & V.42bis
Group 3 Fax, Class 1 & Class 2

SMS Features:

Text and PDU, Point to Point, cell broadcast

Connectors:

Antenna: MMCX
SIM: Standard 3V SIM receptacle (5V SIM with external level shifter)

IP Protocols Supported:

ARP, Dial-in PPP, DNS Resolve, FTP client, ICMP, IP, IPCP, LCP, POP 3 (receive mail), PPP, SMTP (send mail), TCP socket, Telnet client, Telnet server, CHAP, PAP

Power Requirements:

5 VDC; 300mA Average, 1.3A Peak

Physical Description:

3.1" w x 1.4" h x 0.5" d; 1 oz.
(8.0 cm x 3.5 cm x 1.2 cm; 26 g)

Operating Environment:

-30 - 70°C

Certifications:

CE Mark
EMC: FCC Part 2, 15, 22, 24, EN 55022 & EN 55024
Safety: cUL, UL 60950, EN 60950
Network: PTCRB

Ordering Information

Product	Description	Region
MTSMC-G-F1*	GSM/GPRS Class 2/10, 900/1800 MHz	Regional
MTSMC-G-F2*	GSM/GPRS Class 2/10, 850/1900 MHz	Regional

* Check with your local carrier to see which frequency bands are required.

Made in Mounds View, MN, U.S.A.

Trademarks: SocketModem, Multi-Tech, and the Multi-Tech logo: Multi-Tech Systems, Inc. / All other products and technologies are the trademarks or registered trademarks of their respective holders.

World Headquarters

Tel: (763) 785-3500
(800) 328-9717
www.multitech.com

EMEA Headquarters

Multi-Tech Systems (EMEA)
United Kingdom
Tel: +(44) 118-959 7774

Multi-Tech Systems (EMEA)
France
Tel: +(33) 1 64 61 09 81

