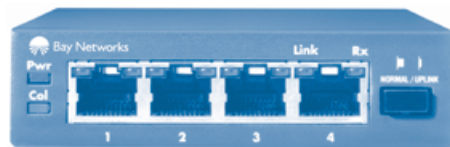


Workgroup Products

BayStack

50 Series 10BASE-T Hubs



[Data Sheet](#)

Delivering industry-standard IEEE 802.3i 10BASE-T for supporting 10 megabit-per-second (Mbps) Ethernet over unshielded twisted pair (UTP) cabling, the BayStack* 50 Series Hubs provide flexible platforms for supporting a variety of network environments.

Four-, eight-, and 16-port hub configurations meet a variety of connectivity requirements. An uplink AUI or BNC port on each unit enables the hubs to be connected via standard UTP patch cables to an existing Ethernet segment or to a transceiver.

For cubicle LANs, BayStack 50 Series 10BASE-T Hubs provide a compact platform for users such as design engineers and systems programmers who have multiple workstations on their desktop, dramatically reducing cabling investments. BayStack 50 Series Hubs are also an ideal solution for new, small networks with growth in mind.

NORTTEL
NETWORKS[™]

How the world shares ideas.

FEATURES AND BENEFITS

Highly Affordable

The BayStack 50 Series 10BASE-T Hubs provide all the benefits of networking at an extremely attractive cost, all backed by a lifetime warranty. For networks designed more for resource sharing than client/server transactions, the BayStack 50 Series Hubs are the optimal solution.

Plug-and-Play

Ethernet Solution

BayStack 50 Series Hubs require little setup and configuration; just plug in the power cord and connect the users to have a functional network up and running within minutes.

Table 1 shows the different models for the BayStack 50 Series 10BASE-T Hubs.

Expansion Support for Growing Environments

Each BayStack 50 Series Hub features a front panel push-button uplink port (MDI/MDI-X)

that allows hubs to be connected together or to other BayStack 10BASE-T Hubs or switches (see Figure 1), offering a simple method for expanding the network to support additional growth.

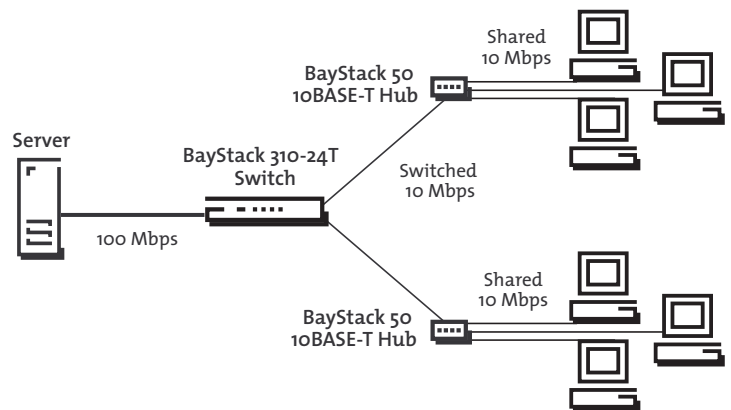
Uplink Ports

Built-in BNC and AUI ports provide direct backbone access via thin or thick coaxial cabling, or other media using the appropriate transceiver.

Real-Time Hub Status at a Glance

The BayStack 50 Series Hubs provide real-time hub performance data for at-a-glance network monitoring. The display includes data and collision LED meters, port link and partition status LEDs, and power and initialization status LEDs. The LED matrix provides a complete summary of hub activity and configuration for rapid on-site management.

Figure 1: Expansion Capability for Growing Environments.



BAYSTACK 50 SERIES

Table 1: BayStack 50 Series 10BASE-T Hub Models.

BayStack 50 Series 10BASE-T Hubs	10BASE-T Ports	BNC Port	AUI Port
50	4	Yes	—
51	8	Yes	Yes
52	16	Yes	Yes

TECHNICAL SPECIFICATIONS

Table 2: BayStack 50 Series 10BASE-T Hubs Technical Specifications.

Network Protocol	10 Mbps Ethernet
Standards Support	IEEE 802.3 CSMA/CD IEEE 802.3i 10BASE-T IEEE 802.3 10BASE2 IEEE 802.3 10BASE5 ISO 8802-3
Electrical Specifications	
Input Power	
BayStack 50	3.5 W
BayStack 51	13.7 W
BayStack 52	20.5 W
AC Voltage	115–125 VAC, 60 Hz (North America) 90–110 VAC, 50 Hz (Japan) 220–240 VAC, 50 Hz (Germany)
Weight	
BayStack 50	.74 lb (.34 kg)
BayStack 51	1.17 lb (.53 kg)
BayStack 52	1.97 lb (.89 kg)
Physical Dimensions	
BayStack 50	(H) 1.1 in. x (W) 3.7 in. x (D) 4.0 in. [(H) 2.8 cm x (W) 9.4 cm x (D) 10.1 cm]
BayStack 51	(H) 1.1 in. x (W) 6.2 in. x (D) 4.0 in. [(H) 2.8 cm x (W) 15.8 cm x (D) 10.1 cm]
BayStack 52	(H) 1.1 in. x (W) 11.3 in. x (D) 4.0 in. [(H) 2.8 cm x (W) 28.6 cm x (D) 10.1 cm]

Table 2: BayStack 50 Series 10BASE-T Hubs Technical Specifications (continued).

Environmental Specifications	
Operating Temperature	5° to 40°C
Storage Temperature	-25° to +70°C
Operating Humidity	85% maximum relative humidity, noncondensing
Storage Humidity	95% maximum relative humidity, noncondensing
Operating Altitude	10,000 ft (3,000 m) maximum
Ventilation Clearance	Minimum 2 in. (5.08 cm) on all sides (stacking OK)
Operating Conditions	At least 6 ft (1.83 m) to nearest source of electromagnetic noise
Power Source Availability	Adequate power source within 6 ft (1.83 m)
Safety Agency Approvals	
	UL listed
	TUV licensed
Electromagnetic Emissions Summary	
Meets Requirements of	FCC Part 15, Class A Digital Devices VCCI Class 1 ITE EN 55 022 (CISPR 22, Class B) General license Vfg 243 (Class B) Compliance with the VCCI regulation is dependent upon the use of shielded AC power cables. The user is responsible for procuring the appropriate cables. CE

ORDERING INFORMATION

Table 3: BayStack 50 Series 10BASE-T Hubs Ordering Information.

Order Number	Description
CG1001?08*	BayStack 50 10BASE-T Hub with 4 RJ-45 ports and 1 BNC port
CG1001?09*	BayStack 51 10BASE-T Hub with 8 RJ-45 ports and 1 BNC port and 1 AUI port
CG1001?10*	BayStack 52 10BASE-T Hub with 16 RJ-45 ports and 1 BNC port and 1 AUI port

* The seventh character (?) of the hub order number must be replaced with the proper code to indicate desired product nationalization, as indicated below:

"A" No power cord included.

"B" Includes European "Schuko" power cord common in Austria, Belgium, Finland, France, Germany, The Netherlands, Norway, and Sweden.

"C" Includes power cord commonly used in the United Kingdom and Ireland.

"D" Includes power cord commonly used in Japan.

"E" Includes North American power cord.

"F" Includes Australian power cord, also commonly used in New Zealand and the People's Republic of China.



NORTEL NETWORKS™

How the world shares ideas.

United States

4401 Great America Parkway
Santa Clara, CA 95054
T. 1-800-822-9638

Canada

8200 Dixie Road, Suite 100
Brampton, Ontario
L6T 5P6 Canada
T. 1-800-466-7835

Europe, Middle East, and Africa

Bay Networks EMEA, S.A.
Les Cyclades - Immeuble Naxos
25 Allée Pierre Ziller
06560 Valbonne France
T. (33) 4-92-96-69-66

Asia Pacific

Nortel Networks Asia South Pacific
151 Lorong Chuan
#02-01 New Tech Park
Singapore 556741
T. (65) 287-2877

Caribbean and Latin America

Nortel Networks CALA Inc.
1500 Concord Terrace
Sunrise, Florida
33323-2815 U.S.A.
T. (954) 851-8000

<http://www.nortelnetworks.com>

* NORTEL, NORTEL NETWORKS, the NORTEL NETWORKS corporate logo, the globemark design, NORTEL NETWORKS How the world shares ideas, and Unified Networks are trademarks of Northern Telecom. Bay Networks, BayStack and Optivity are trademarks of Bay Networks, Inc., a Nortel Networks (Northern Telecom) company.

All other trademarks are the property of their owners.

Copyright © 1999 Northern Telecom. All rights reserved. Information in this document is subject to change without notice. Northern Telecom assumes no responsibility for any errors that may appear in this document.